

# TRAVOLATERS AND ESCALATORS



CREATING TIMELESS MASTERPIECES



An ISO 9001 : 2000 Certified Company



## A Symbol of World-Class Quality

Beacon in a prestigious business collaboration with Suzhou Jiangnan EXPRESS, a brand recognized internationally for its quality, is now all set to bring home to its clients the state of the art masterpieces created by Suzhou Jiangnan EXPRESS escalators and travelators meet European EN115, American ANSI as well as Chinese national standards. An international authority has officially endorsed attention to detail in design and painstaking production quality control, when the company was awarded ISO 9001 : 2000 certification. Every escalator and travelator is fully assembled and tested at the factory to ensure unflinching performance. As a result, Suzhou products have been widely praised in more than 30 countries and regions worldwide, and Suzhou Jiangnan EXPRESS escalators and travelators can be seen operating efficiently and gracefully throughout Europe, Australia, America, Africa, the Middle East and Southeast Asia. Beacon is honored to collaborate in all business ventures with Suzhou, confident to deliver international excellence to all its prestigious clients.

PAGE 21



## TASTE AND STYLE

Whether in busy stations or docks, in stylish shopping centers or bustling supermarkets, Suzhou Jiangnan EXPRESS escalators and travelators are always eye catching, they add charm to the buildings and enhance the appearance of cities.

PAGE 21

## SATISFYING INDIVIDUAL REQUIREMENTS, CREATING PERSONAL EXPERIENCES

Beacon in collaboration with Suzhou Jiangnan EXPRESS offer total solutions that meet the specific requirements of various environments, including shopping centers, supermarkets, subway stations, airports, harbors, etc. Regardless of whether escalator or travelator products are required for commercial or public projects, we have the right product or can tailor-make a solution to meet individual needs. You can depend upon our expertise.

## TECHNICAL SPECIFICATIONS

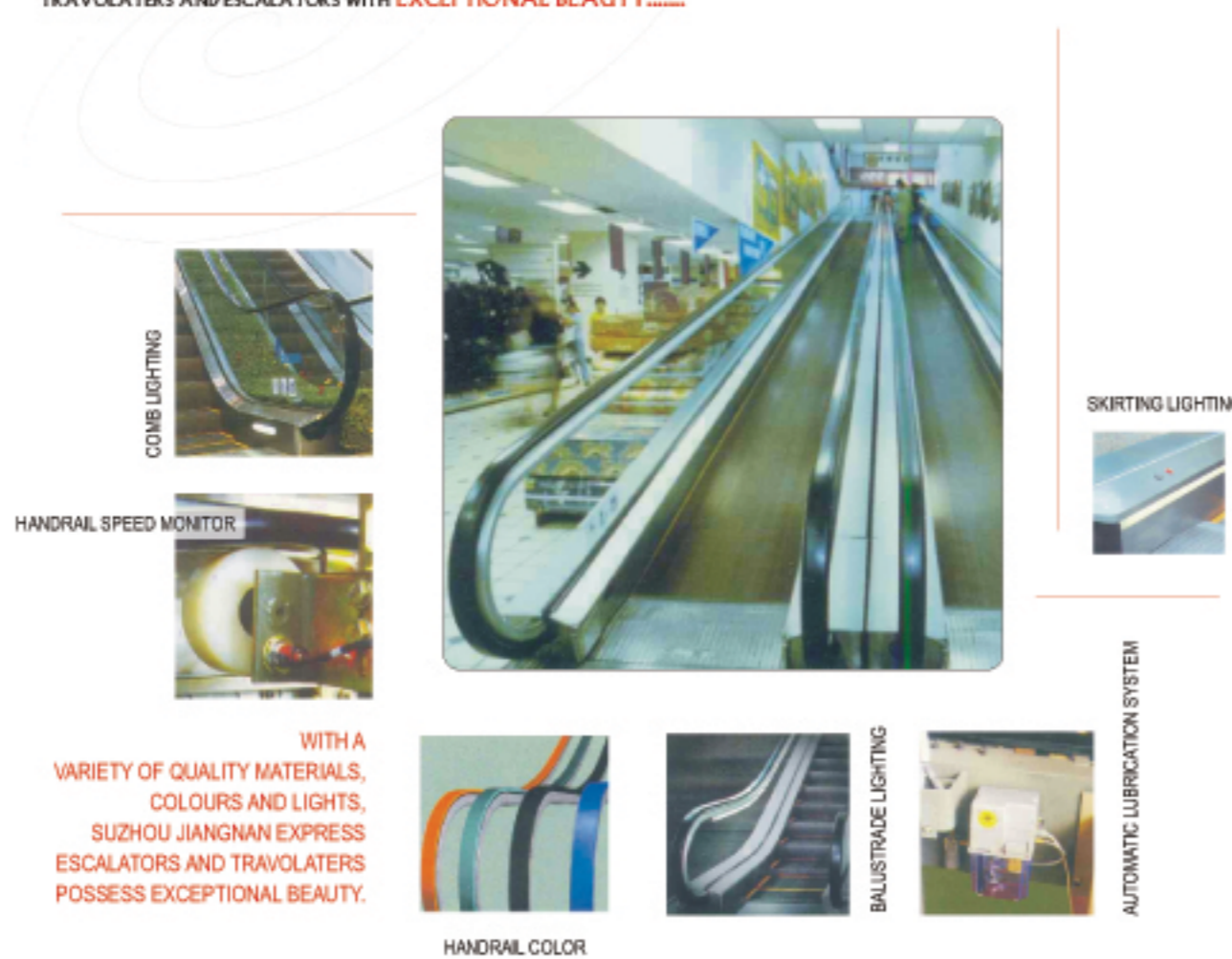
Name	Escalator		Travelator	
	JES	JEH	JET	JET/JEH
Inclination	30°/35°	27°/30°/35°	0-4°	10°/11°/12°
Step/pallet width	600/800	600/800	800/1000/1200	800/1000
No. Of horizontal steps / horizontal pallet	20	20/4	N/A	JET: 400mm (Only for upper landing) JET: 450/500mm
Speed (m/s)	0.5	0.5/0.65	0.5	0.5
Power supply	3 Phase AC 50HZ or 60HZ			
Transport capacity (person/hour)	4500/6750/10000/12000/15000 (Refer to step/pallet width 600, 800, 1000, 1200, 1400mm respectively)			

Note: Calculations of transport capacity is based on speed 0.5m/s

## BALUSTRADE DESIGN

PAGE 21

## TRAVOLATERS AND ESCALATORS WITH EXCEPTIONAL BEAUTY



## QUALITY MATERIALS

A variety of high-quality material and different finishes are available. Stainless steel or profile aluminum is used for the handrail profile, stainless steel or steel sheets with Teflon coating is used for the skirting panel and the landing plate is made with stainless steel or aluminum with anti-slip grooves.

## COLOR

The standard handrail is black, however, other colors are also available. The steps are usually silver grey, but black is also an option. Bronze and sapphire blue glass can be chosen to replace the clear glass of standard panels.

## LIGHT

The balustrade lighting, skirting lighting, comb lighting, truss lighting, soffit lighting and step gap lighting can be chosen.

PAGE 25

## Silence and Comfort

The precision-made, efficient worm gear combines with the squirrel inductive motor, while the track system and balustrade system runs steadily and smoothly without noise.

HES energy saving system (VVVF) (optional) - This frequency converter system can save energy up to 60%. While there is no loading, the escalator will run at a low speed. When there is load, it will convert into rated speed automatically and smoothly. Photo-cell sensors are mounted on skirting panel at both ends of the escalator.

Auto-start by photo-cell sensor (optional) - The operation of the escalators realizes automatic startup by Photo-cell sensors. This Photo-cell sensor should be mounted in a stainless steel column, which is at least 1300mm away from the comb plate. Meanwhile, the direction indicator should also be equipped in the same column.

Auto-start by contact mat (optional) - The escalator starts up automatically when the mat is stepped on. The contact mat is mounted at least 1800mm from the comb and a direction indicator is also installed.

## Weatherproof Design, Total Experience

### JEH Public Transportation Escalator

The truss of escalator is treated with hot-dip galvanizing or special paint to resist all types of extreme treatment. The electrical control system is waterproof, and made of stainless steel to resist corrosion even in a humid maritime climate.

Comb heating (optional) - Under the comb plate at the entrance and exit, a heating system is installed to avoid icing. This applies installation in an environment with a temperature below 4°C

Truss heating (optional) - Within the whole working area of steps, a heating system could be installed to avoid icing resulted from rain and snow.



PAGE 22



## MAGNIFICENT SIGHT

Our escalators and travelators offer a variety of designs to match various styles of different buildings and locations. They complement and enhance a building's character and become the center of attraction.

## CONFIGURATION

Dimension	Escalator		Travelator
Product type	JES	JEH	JET/JEF
Handrail profile	Commercial slim-line	Commercial slim-line	Commercial slim-line
Balustrade	Aluminum/ Hairline stainless steel	Aluminum/ Hairline stainless steel	Aluminum/ Hairline stainless steel
Handrail	Vertical balustrade with glass panel 10mm thick safety glass	Vertical balustrade with glass panel vertical balustrade with stainless steel panel	Vertical balustrade with glass panel 10mm thick safety glass
Deckings	Black Other colors are available upon request	Black Other colors are available upon request	Black Other colors are available upon request
Skirting panel	Hairline stainless steel sheet with black Teflon coating	Hairline stainless steel	Hairline stainless steel
Step/Pallet	Die casting Aluminum painted, with silver grey, black is available as option	Die casting Aluminum painted, with silver grey, black is available as option	Die casting Aluminum painted, with silver grey, black is available as option
Step decoration	Yellow painting at 3 sides, yellow resin at 3 sides is available as option	Yellow painting at 3 sides, yellow resin at 3 sides is available as option	Yellow painting at 2 sides, yellow resin at 2 sides
Landing plate	Aluminum / stainless steel with anti-slip grooves	Aluminum / stainless steel with anti-slip grooves	Aluminum / stainless steel with anti-slip grooves
Operator panel	Red emergency stop button & up/down key switch	Red emergency stop button & up/down key switch	Red emergency stop button & up/down key switch

PAGE 24

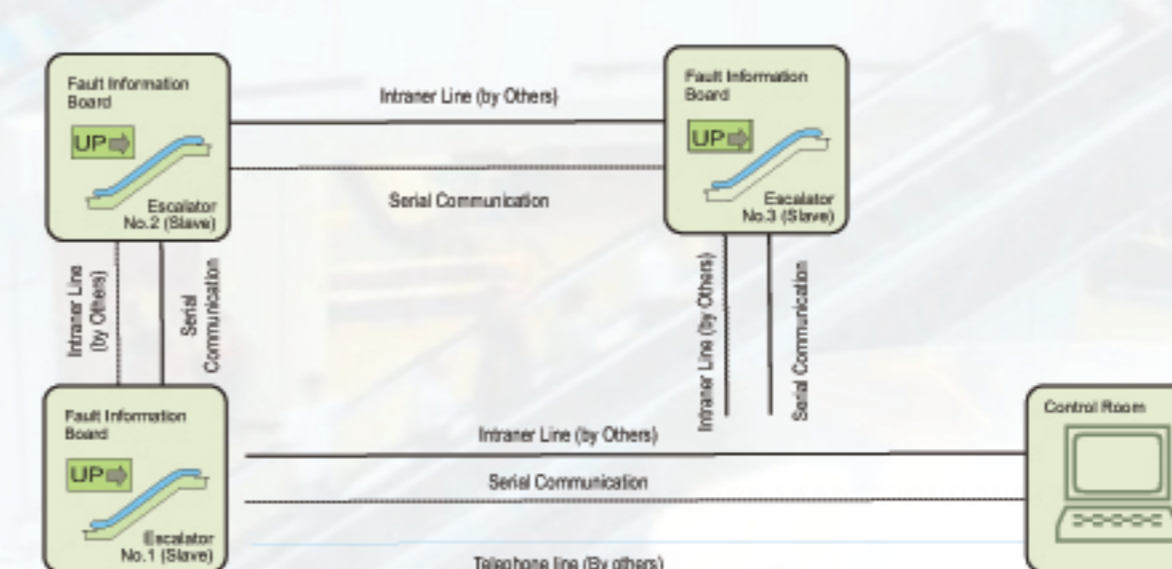


## HUMAN NATURE SCIENCE AND TECHNOLOGY

Science, technology and style become one at Suzhou Jiangnan EXPRESS. The escalators and travelators we produce carry users gracefully, and have an intrinsic charm.

Suzhou Jiangnan EXPRESS escalators and travelators are always an attractive feature, whether they are installed at airports, stations, hotels or shopping centers.

## REMOTE MONITORING SYSTEM



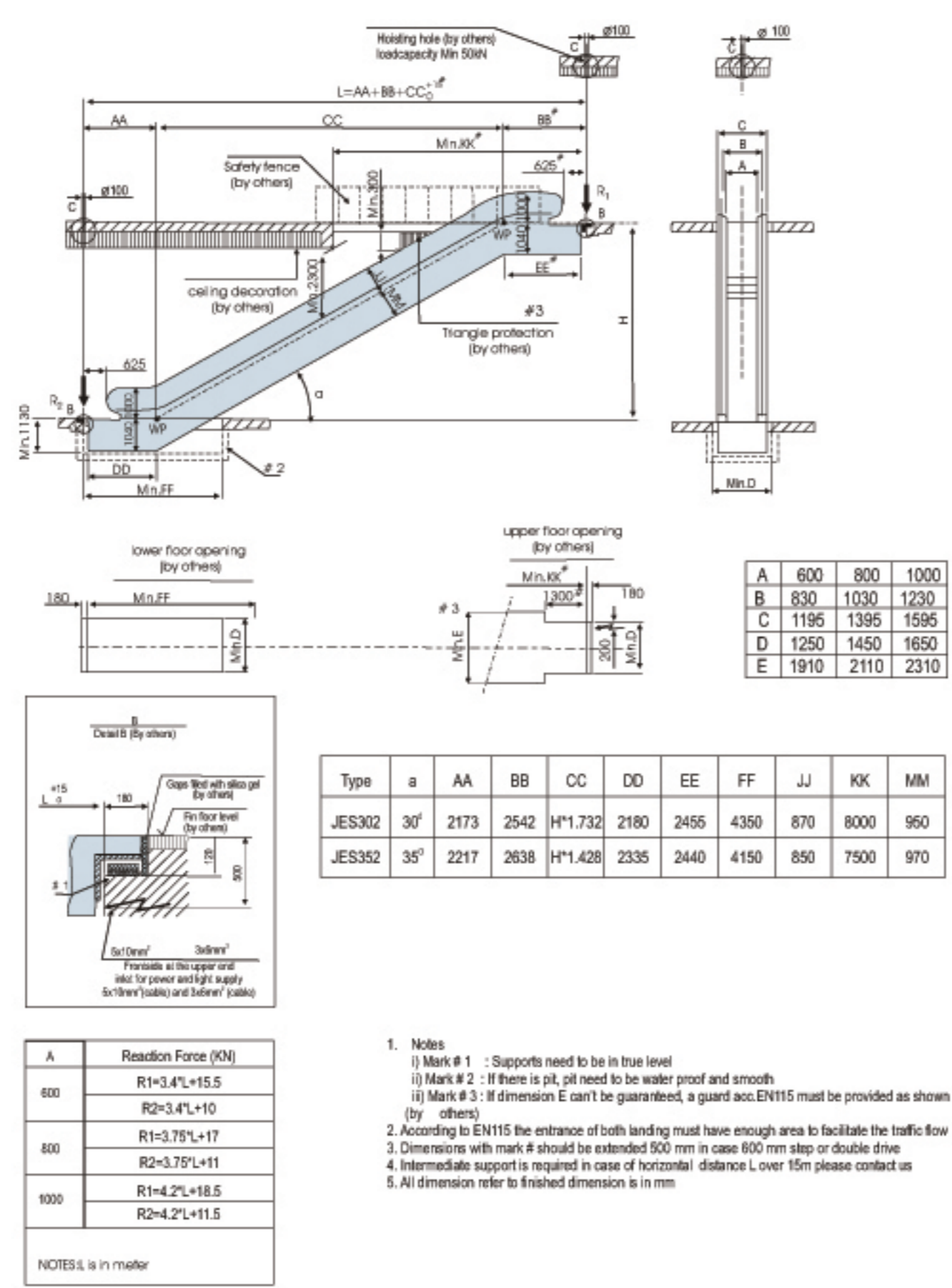
## STANDARD AND OPTIONAL FEATURES

Description	Escalator		Travelator		Escalator		Travelator	
	JES	JEH	JET/JEF	JES	JEH	JET/JEF	JES	JEH
Step chain contacts	o	o	o	o	o	o	o	o
Comb plate contacts	o	o	o	o	o	o	o	o
Handrail entry contacts	o	o	o	o	o	o	o	o
Emergency stop button	o	o	o	o	o	o	o	o
Phase failure relay	o	o	o	o	o	o	o	o
Step gap lighting	o	o	X	o	o	o	o	o
Skirting contact	o	o	X	o	o	o	o	o
Drive chain contact	o	o	o	o	o	o	o	o
Motor overload & overheat relay	o	o	o	o	o	o	o	o
Speed monitor with anti-reverse function	o	o	o	o	o	o	o	o
Step sag contact	o	o	o	o	o	o	o	o
Step anti-static device	o	o	o	o	o	o	o	o
Pallet drop safety device	X	X	o	o	o	o	o	o
Safety brake on main shaft	o	o	o	o	o	o	o	o

Note: o refers to standard configuration, X refers to optional item, \* means not applicable, \* item must be selected when vertical rise exceeds 6 meters.

PAGE 26

# Layout JES Escalator

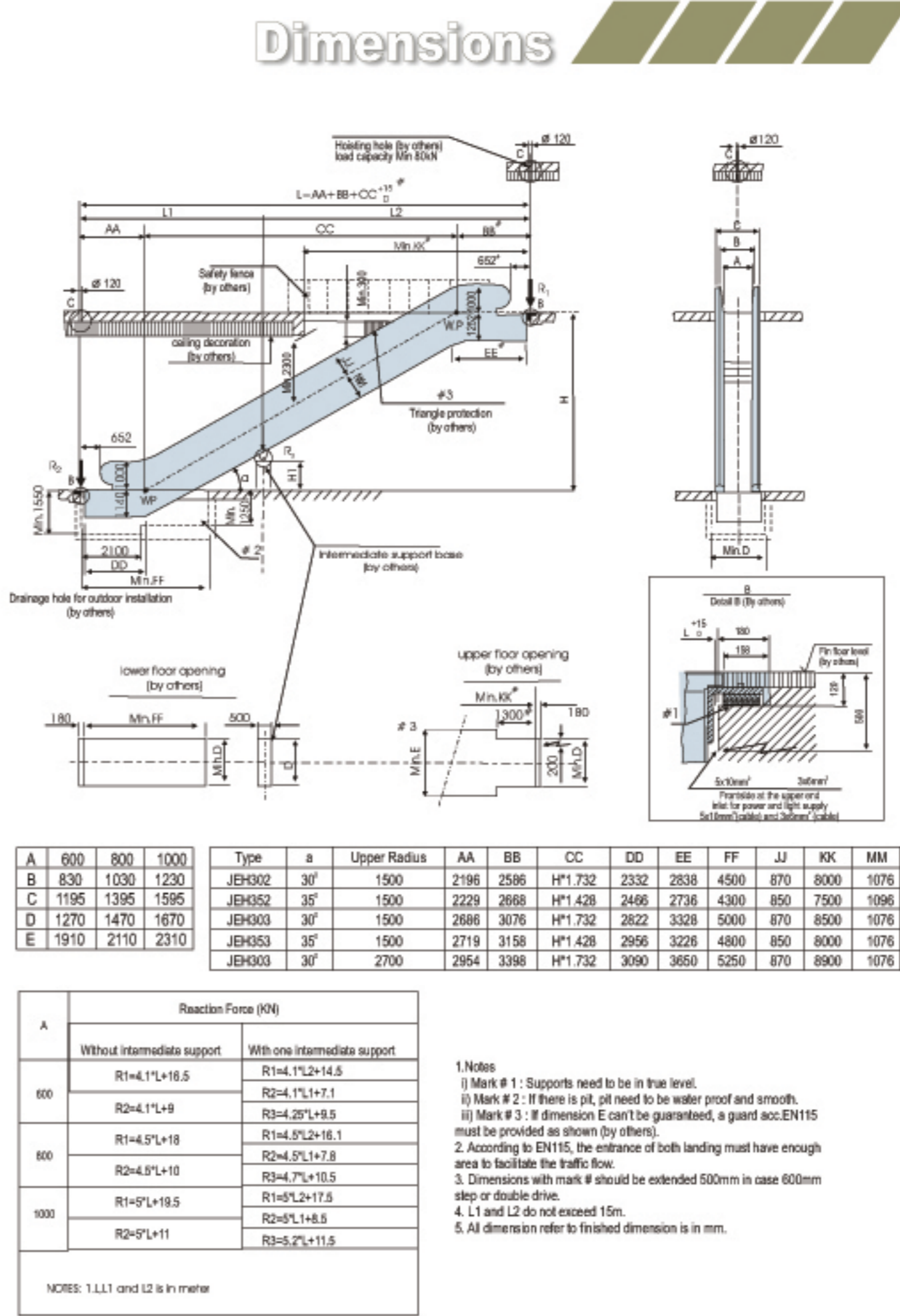


Type	a	AA	BB	CC	DD	EE	FF	JJ	KK	MM
JES302	30°	2173	2542	H1-1732	2180	2455	4350	870	8000	960
JES302	35°	2217	2638	H1-1428	2335	2440	4150	850	7500	970

NOTES: 1. L1, L2 refer to travelator dimension in mm

PAGE 27

# Layout JEH Escalator for Public Transport

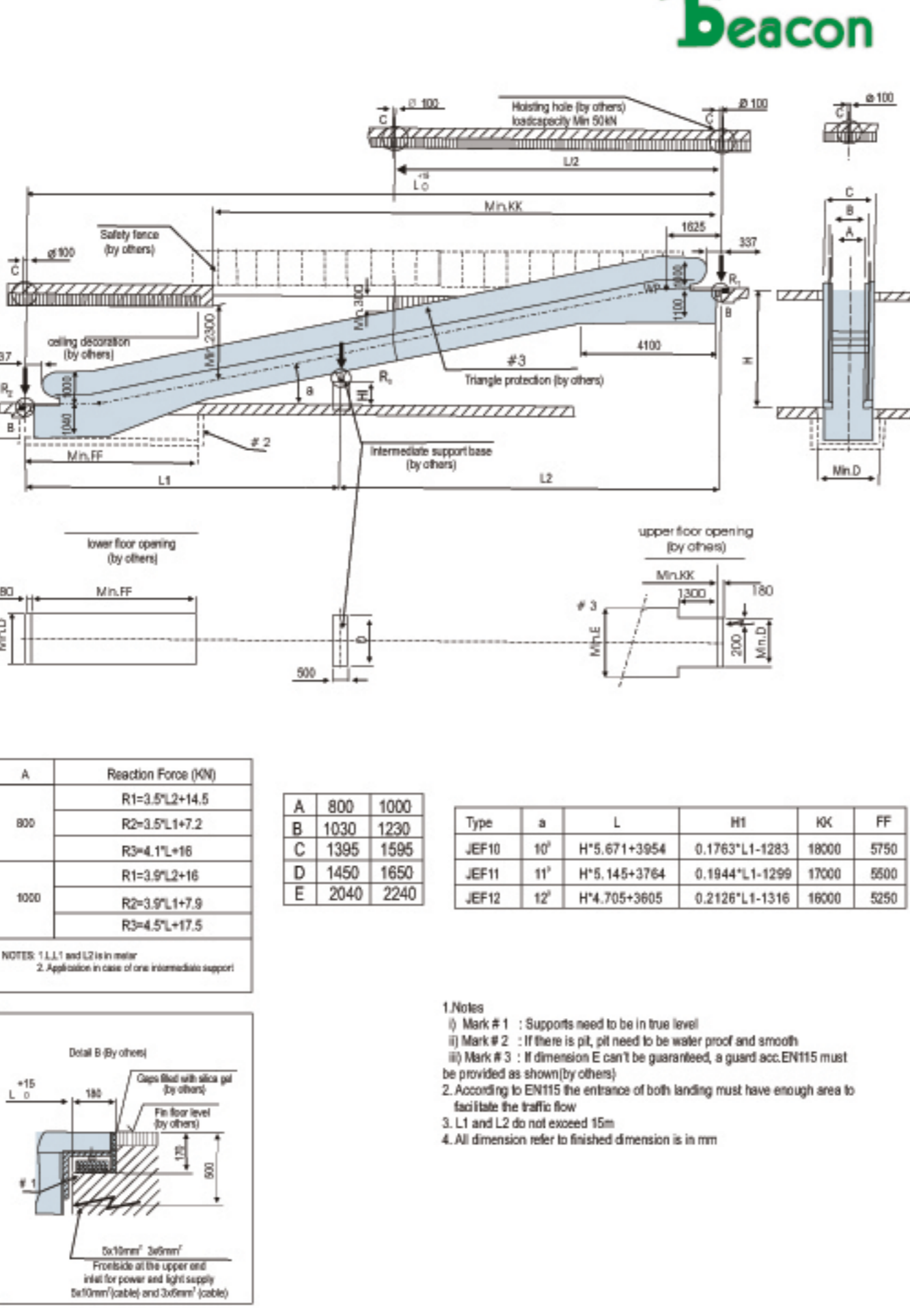


Type	a	Upper Radius	AA	BB	CC	DD	EE	FF	JJ	KK	MM
JEH302	30°	1500	2398	2698	H1-1732	2322	2838	4500	870	8000	1078
JEH302	35°	1500	2220	2698	H1-1428	2496	2738	4300	850	7900	1096
JEH303	30°	1500	2868	3038	H1-1732	2822	3328	5000	870	8000	1078
JEH303	35°	1500	2718	3158	H1-1428	2956	3228	4800	850	8000	1078
JEH303	30°	2700	2954	3198	H1-1732	3000	3650	5250	870	8900	1078

NOTES: 1. L1, L2 refer to travelator dimension in mm

PAGE 28

# Layout JEF Travelator

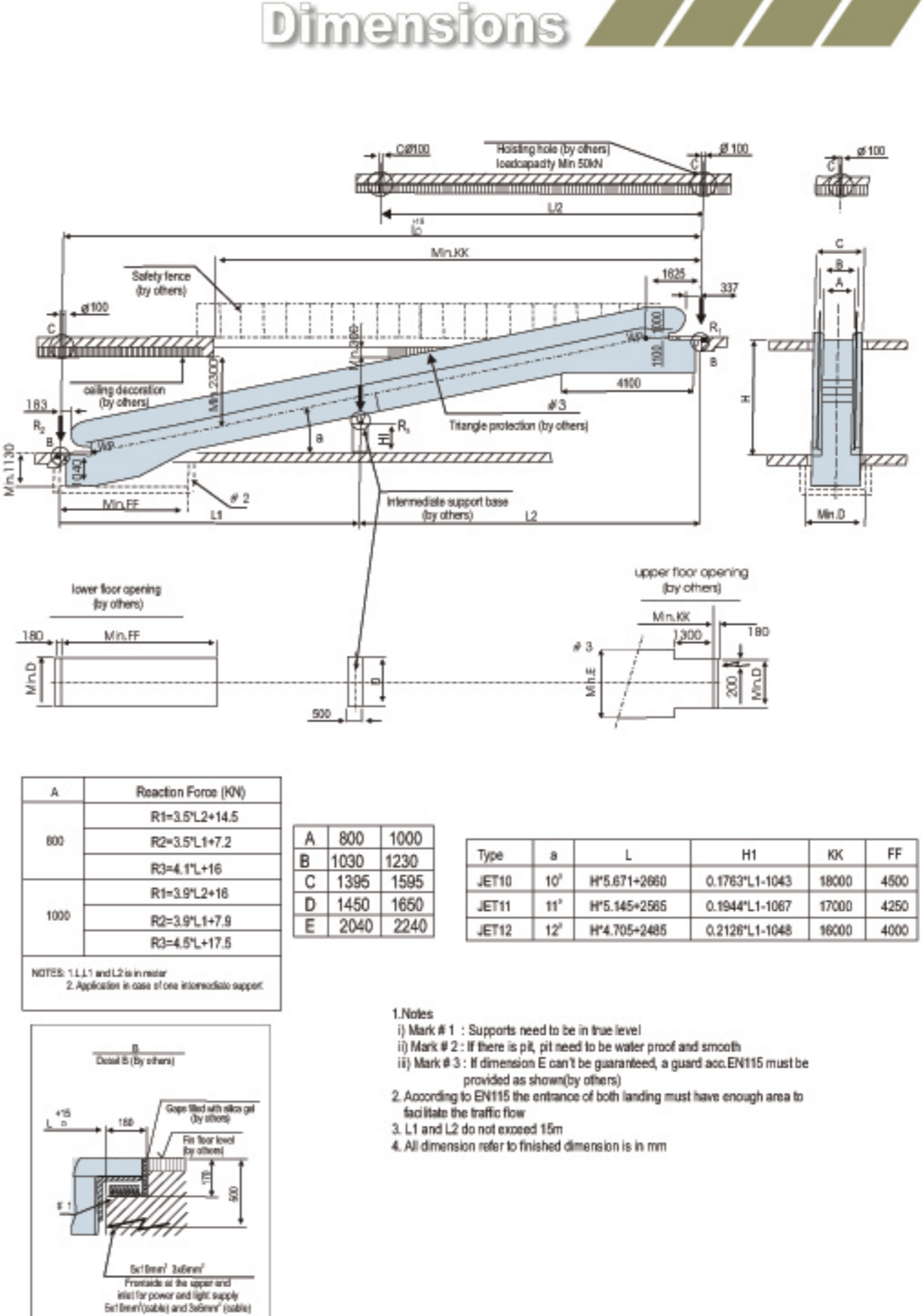


Type	a	L	H1	KK	FF
JEF10	10°	H*5.871+3864	0.1763*L1-1283	1800	0750
JEF11	11°	H*5.145+3784	0.1844*L1-1299	1700	880
JEF12	12°	H*4.755+3655	0.2124*L1-1316	1600	920

NOTES: 1. L1 and L2 do not exceed 15m

PAGE 29

# Layout JET Travelator



Type	a	L	H1	KK	FF
JET10	10°	H*5.871+3860	0.1763*L1-1043	1800	480
JET11	11°	H*5.145+3785	0.1844*L1-1067	1700	420
JET12	12°	H*4.755+3655	0.2124*L1-1048	1600	400

NOTES: 1. L1 and L2 do not exceed 15m

PAGE 29